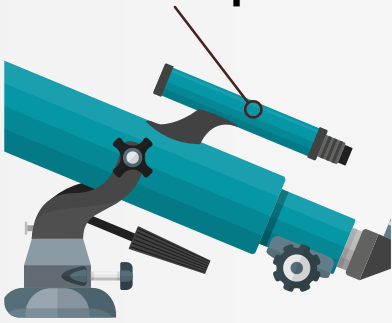


First use of your Finder Scope



Finder Scope



What is the finder scope and how does it work?

Many telescopes have an additional small telescope. Have you always wondered why you need it? Let Luna explain why!

Have you ever tried to look for planets in space with your naked eye? If so, you have noticed that it is almost impossible to see any. The finder scope makes it easier. When you have found an object, align the crosshairs (the +) so that the object is in the centre. Through the finder scope you see everything upside down and side to side. But that doesn't matter when observing the sky.

Looking through a telescope for the first time

1. It is easier the first time you use your telescope during the day. Choose an object that is further away. For example, a church tower, a tree or a sign is suitable.
2. Point your telescope at your selected object.
3. Now also align your finder scope with your object. The object should be in the centre of the crosshairs.
4. Now look through your eyepiece. Can't see anything? Then turn the wheels until the image is sharp.
5. If you want to zoom in, you have to change the eyepiece. Make sure, however, that you always focus the image again.

ATTENTION: Never look at the sun with your telescope! It will cause burns and in the worst case, you will go blind!

If you want to observe the sun, there are special filters for solar observation!

Everything worked out and you are ready for your first night with the telescope? Great, then let's get started!



Find us on:



www.bresser-junior.com